

# **Sahana Healthcare and Messaging Modules**

**Roshan Hewapathirana**

Lecturer – Biomedical Informatics, Post Graduate  
Institute of Medicine, Sri Lanka

Research Fellow/SSE, Lanka Software Foundation

# Outline

- What is 'Sahana'
- Sahana integration options
- Healthcare (disease surveillance) module
- Messaging Module

## SAHANA HOME

About Sahana

## SAHANA MAIN

Sahana Home

Login

User Name

Password

Sign In

No account?

[Sign Up](#)

[Login with an  
OpenID](#)

## About Sahana

### System Information

Sahana Version

Release

Release Information

Release Date

Database Name

Database Character Set

Database Collation

Apache HTTPD Version

PHP Version

MySQL Version

Administrator Name

Email

Telephone

[Show/Hide Readme](#)

[View License](#)



# SAHANA

Disaster Management System

SAHANA HOME

About Sahana

SAHANA MAIN

Sahana Home

Disaster Preparedness

Messaging/Alerting Module

Situation Awareness

GPS Interface

Missing Person Registry

Disaster Victim Registry

Housing Registry

Image Tagger

Organization Registry

Request/Aid Management

Shelter Registry

Web Services

Inventory Management

Sal Disease Surviellance Module

Streaming Module

Volunteer Coordination

Volunteer Management

Aid Catalog

Reporting System

Synchronization

## Welcome to the Sahana FOSS Disaster

Sahana is a collection of web based disaster management applications that facilitate disaster response and collaboration in disaster situation and its aftermath. Sahana consists of

- ♦ [Missing Person Registry](#) - Helps to report and search missing person.
- ♦ [Disaster Victim Registry](#) - Traces internally displaced people (IDPs) and
- ♦ [Organization Registry](#) - Lists 'who is doing what & where'. Allows relief a coordination among them.
- ♦ [Request/Aid Management](#) - Tracks requests for aid and matches them
- ♦ [Shelter Registry](#) - Tracks the location, distribution, capacity and breakdw
- ♦ [Inventory Management](#) - Effectively and efficiently manage relief aid, er notify when items are required to refill.
- ♦ [Messaging/Alerting Module](#) - Allows communication by email and SMS
- ♦ [Volunteer Coordination](#) - Allows managing volunteers by capturing their
- ♦ [Aid Catalog](#) - Captures information on different catalogues and measure such as Inventory Management System and Request Management System
- ♦ [Synchronization](#) - Allows data exchange between instances of Sahana by

For more detail on Sahana system, see [Sahana Website](#)

For live help from the Sahana community on using this application, go to [Sa](#)

To access Sahana documentation, go to [Sahana Wiki](#)

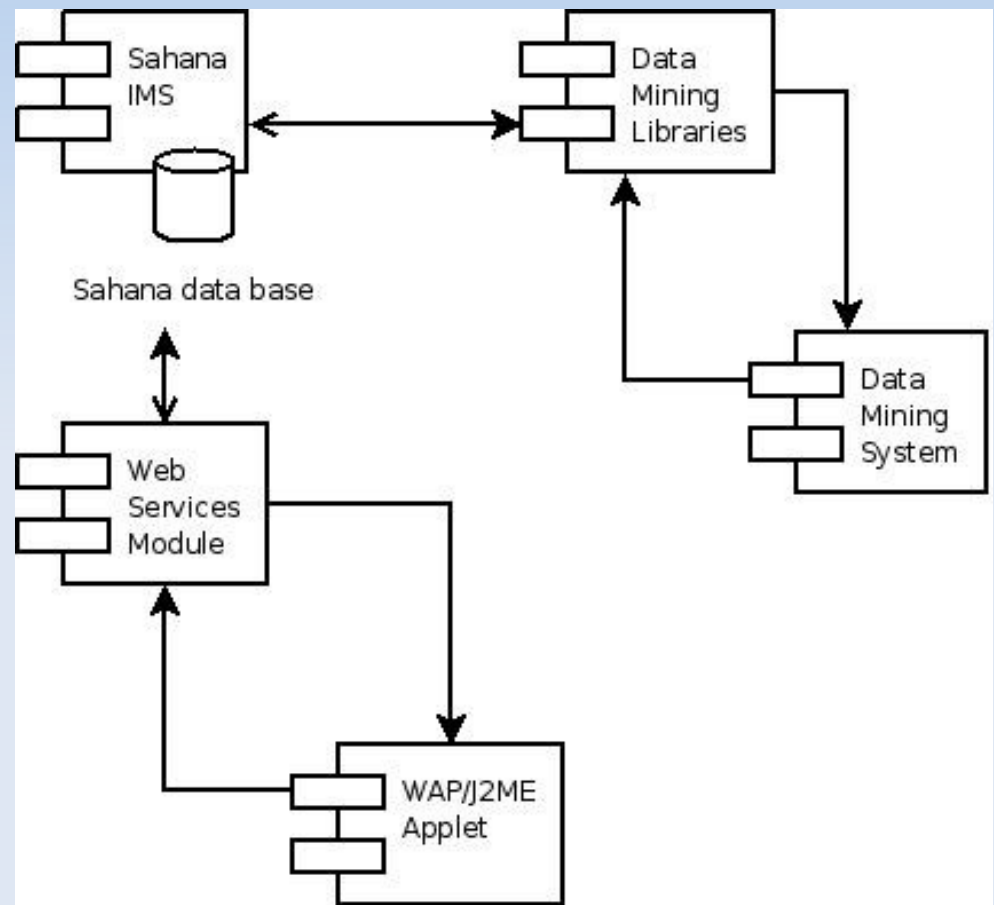
Administrator: Sahana GSoC Admin.

Email : [admin@gsoc.lk](mailto:admin@gsoc.lk)

Telephone : 118

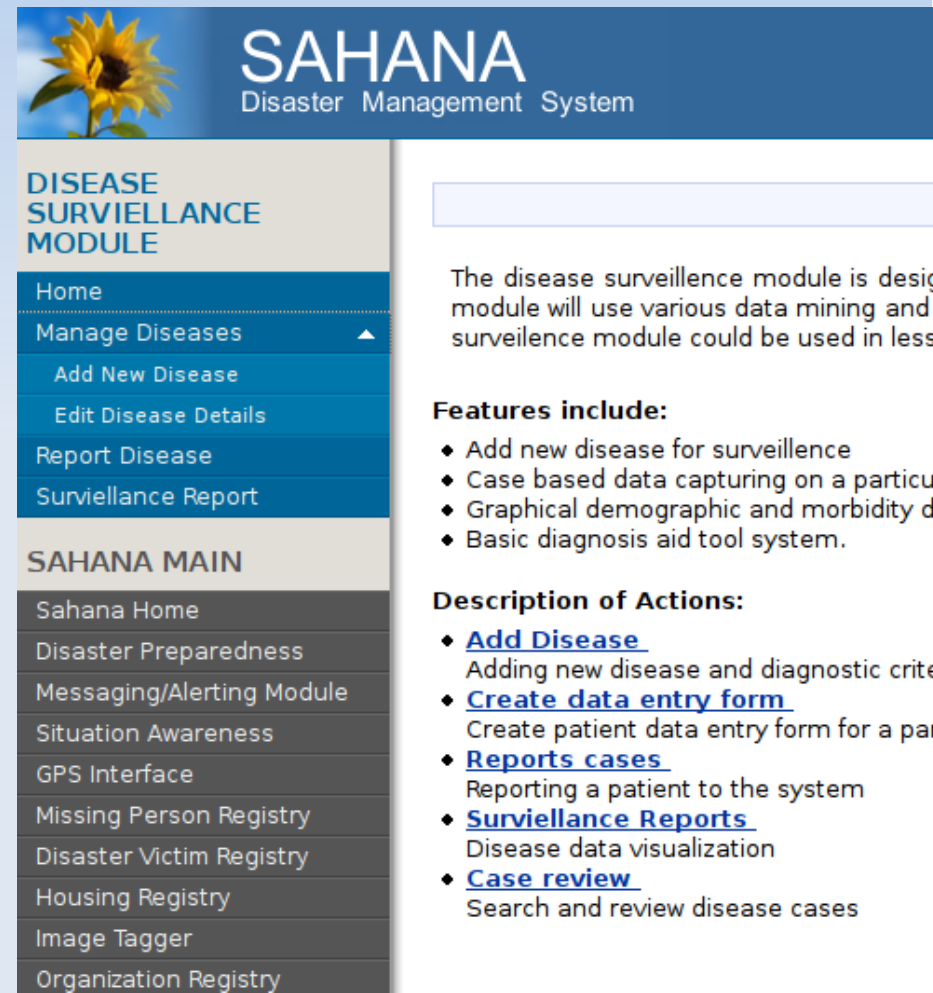
# Integration options

- Web services interface with NuSOAP
  - PHP << >> PHP
  - PHP << >> Java
  - PHP << >> WAP
- SMS interface
- Datamining libraries
  - PHP << >> Java



# Disease Surveillance Module

- Recording community health information - PHIs
  - Add disease
  - Report cases
  - Analysis
    - Cases
    - Disease



The screenshot displays the SAHANA Disaster Management System interface. At the top, there is a blue header with a sunflower icon and the text "SAHANA Disaster Management System". Below this, the "DISEASE SURVEILLANCE MODULE" is highlighted in a light blue box. A vertical navigation menu on the left lists several options: Home, Manage Diseases (with a dropdown arrow), Add New Disease, Edit Disease Details, Report Disease, and Surveillance Report. Below the navigation menu, there is a section titled "SAHANA MAIN" with a list of system features: Sahana Home, Disaster Preparedness, Messaging/Alerting Module, Situation Awareness, GPS Interface, Missing Person Registry, Disaster Victim Registry, Housing Registry, Image Tagger, and Organization Registry. On the right side of the interface, there is a text area describing the module's purpose and a list of features and actions.

**SAHANA**  
Disaster Management System

**DISEASE SURVEILLANCE MODULE**

- Home
- Manage Diseases ▲
- Add New Disease
- Edit Disease Details
- Report Disease
- Surveillance Report

**SAHANA MAIN**

- Sahana Home
- Disaster Preparedness
- Messaging/Alerting Module
- Situation Awareness
- GPS Interface
- Missing Person Registry
- Disaster Victim Registry
- Housing Registry
- Image Tagger
- Organization Registry

The disease surveillance module is designed to capture and analyze community health information. This module will use various data mining and analysis techniques. The disease surveillance module could be used in less developed areas.

**Features include:**

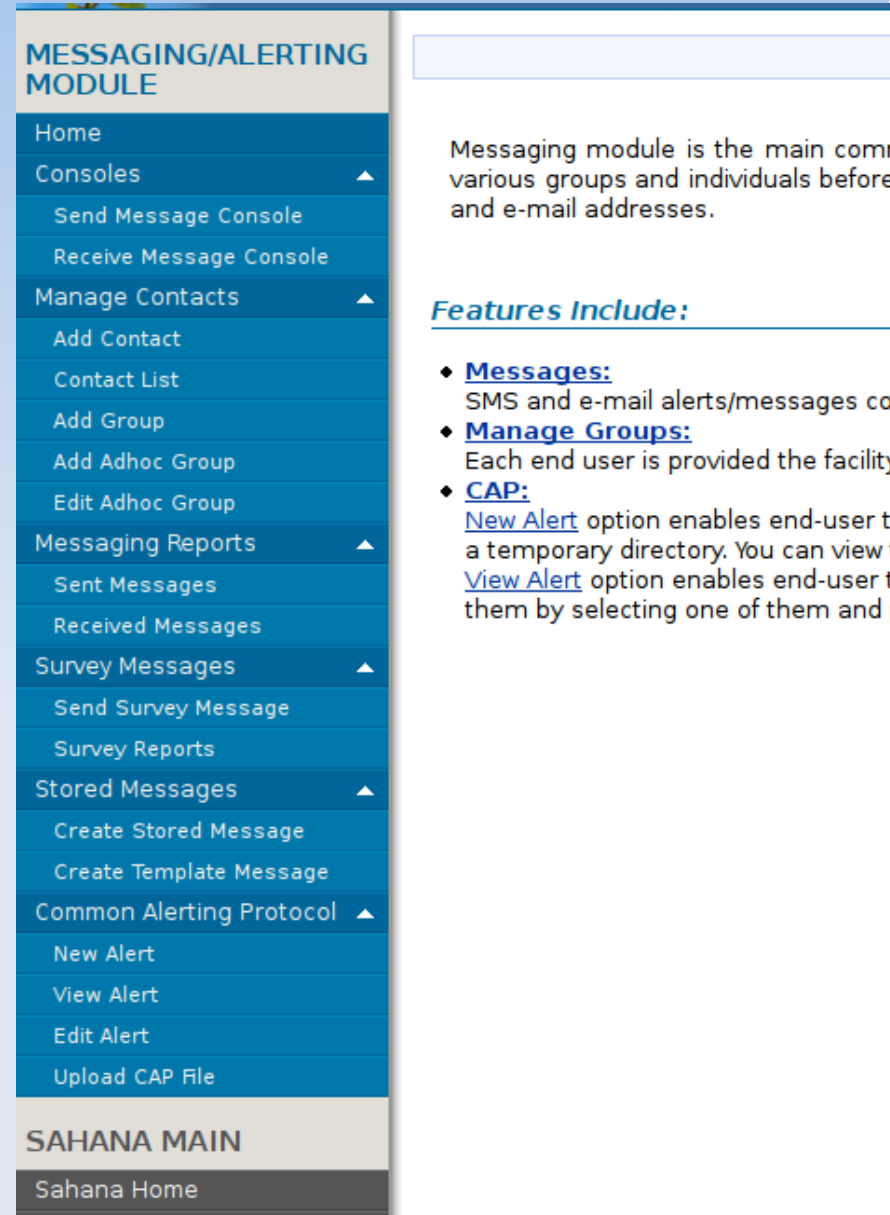
- ◆ Add new disease for surveillance
- ◆ Case based data capturing on a particular disease
- ◆ Graphical demographic and morbidity data
- ◆ Basic diagnosis aid tool system.

**Description of Actions:**

- ◆ [Add Disease](#)  
Adding new disease and diagnostic criteria
- ◆ [Create data entry form](#)  
Create patient data entry form for a particular disease
- ◆ [Reports cases](#)  
Reporting a patient to the system
- ◆ [Surveillance Reports](#)  
Disease data visualization
- ◆ [Case review](#)  
Search and review disease cases

# Messaging Module

- Outbreak alert - PHIs
  - Send/Receive sms
  - Send/Receive e mail
  - Grouping of users/messages
  - Analysis



**MESSAGING/ALERTING MODULE**

- Home
- Consoles ▲
  - Send Message Console
  - Receive Message Console
- Manage Contacts ▲
  - Add Contact
  - Contact List
  - Add Group
  - Add Adhoc Group
  - Edit Adhoc Group
- Messaging Reports ▲
  - Sent Messages
  - Received Messages
  - Survey Messages ▲
    - Send Survey Message
    - Survey Reports
  - Stored Messages ▲
    - Create Stored Message
    - Create Template Message
- Common Alerting Protocol ▲
  - New Alert
  - View Alert
  - Edit Alert
  - Upload CAP File

**SAHANA MAIN**

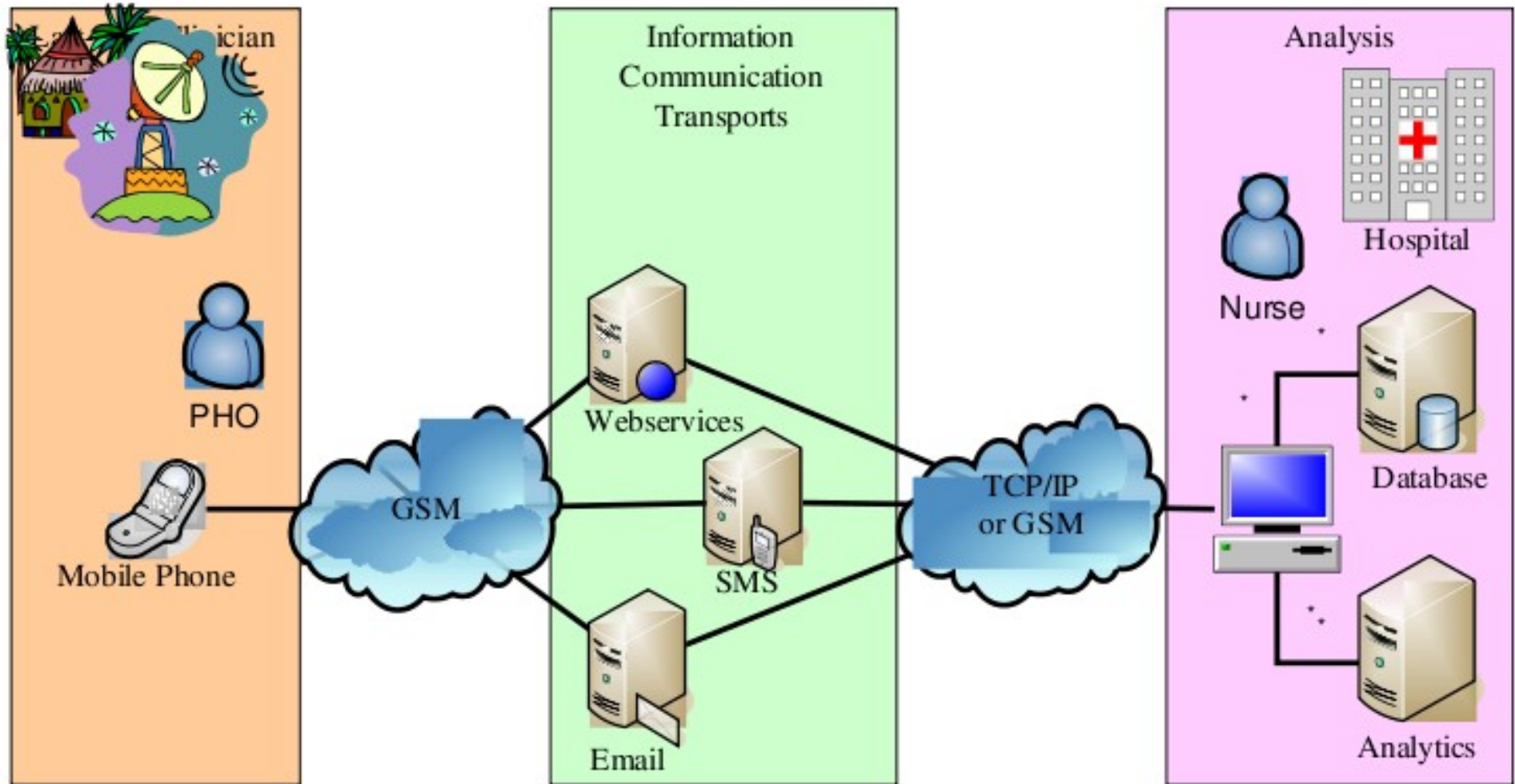
Sahana Home

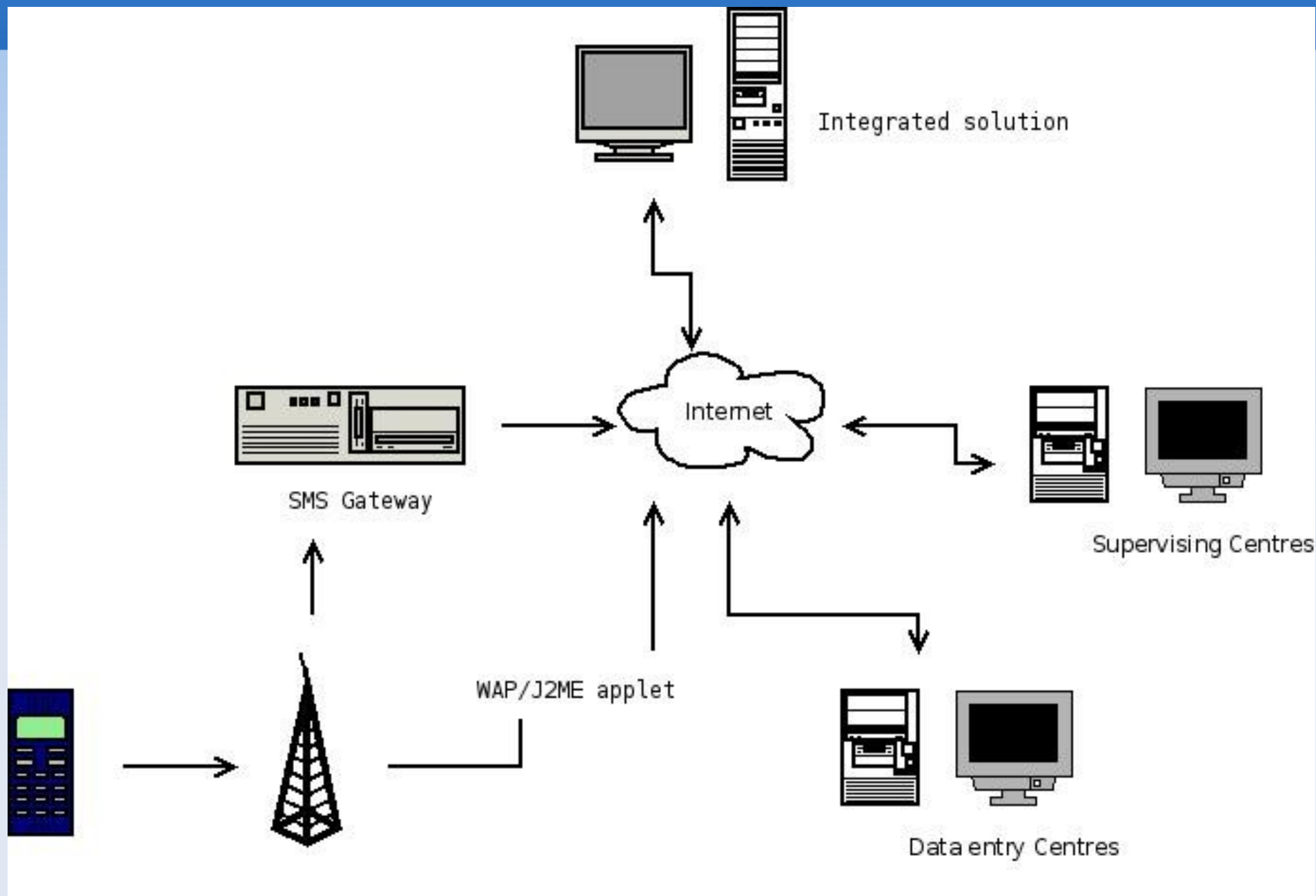
Messaging module is the main component for sending messages to various groups and individuals before and e-mail addresses.

**Features Include:**

- ◆ **Messages:**  
SMS and e-mail alerts/messages can be sent to various groups and individuals before and e-mail addresses.
- ◆ **Manage Groups:**  
Each end user is provided the facility to create and manage groups.
- ◆ **CAP:**  
[New Alert](#) option enables end-user to create a temporary directory. You can view the alerts by selecting one of them and clicking on [View Alert](#) option enables end-user to view the alerts.

# Community based approach









Thank you